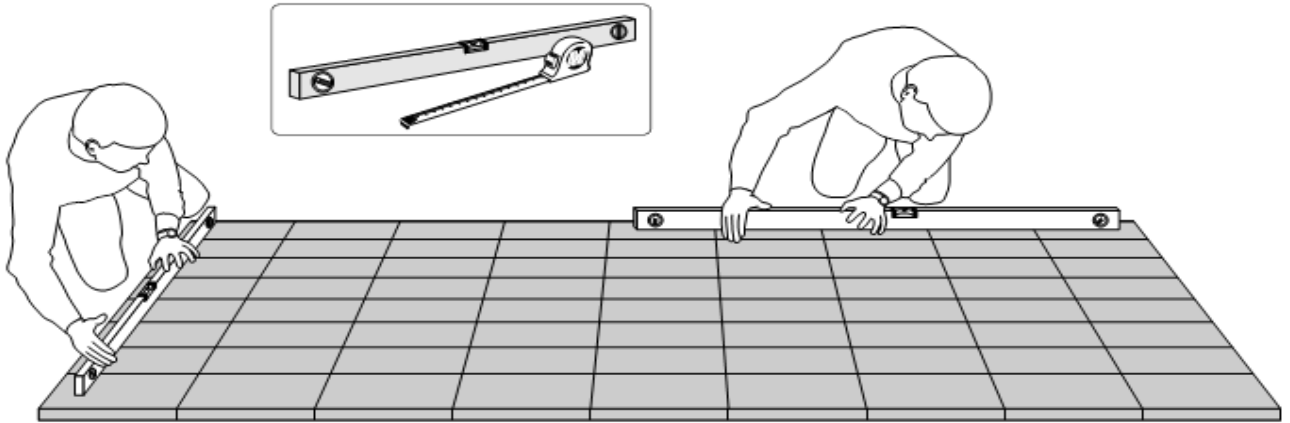


Kiosk Claus (274 x 240 cm.)

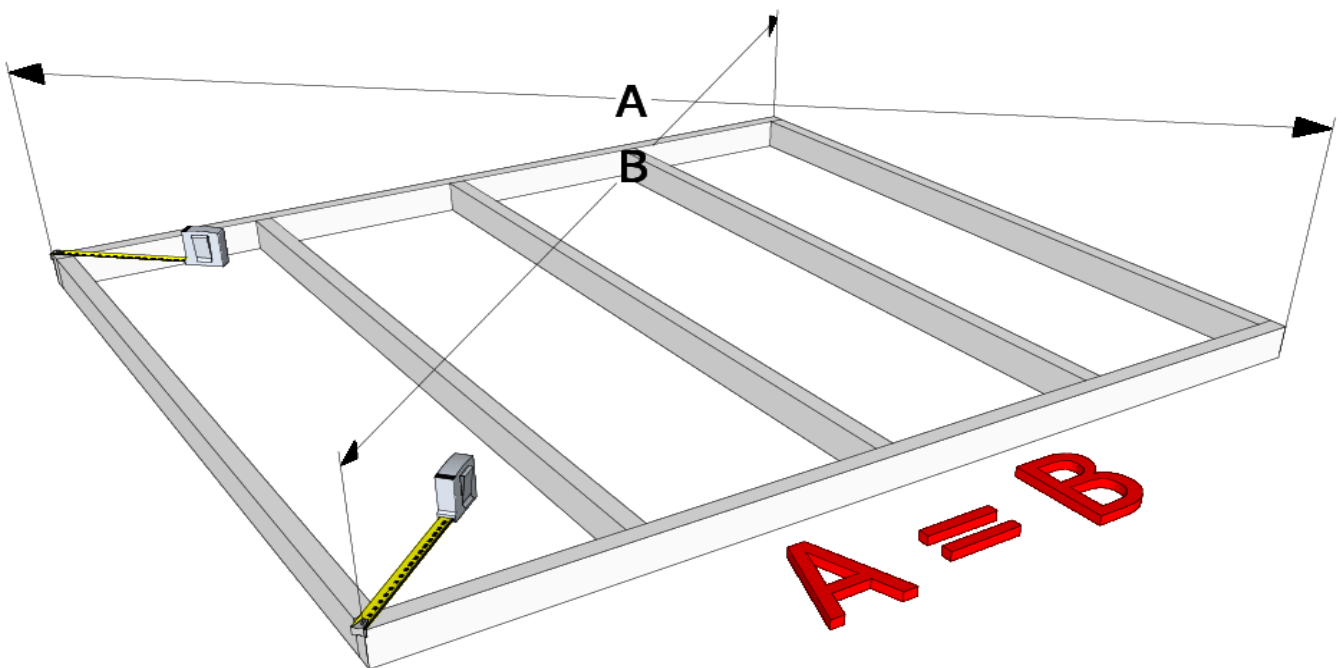
Assembly instruction

1/15

Important !
Wichtig !



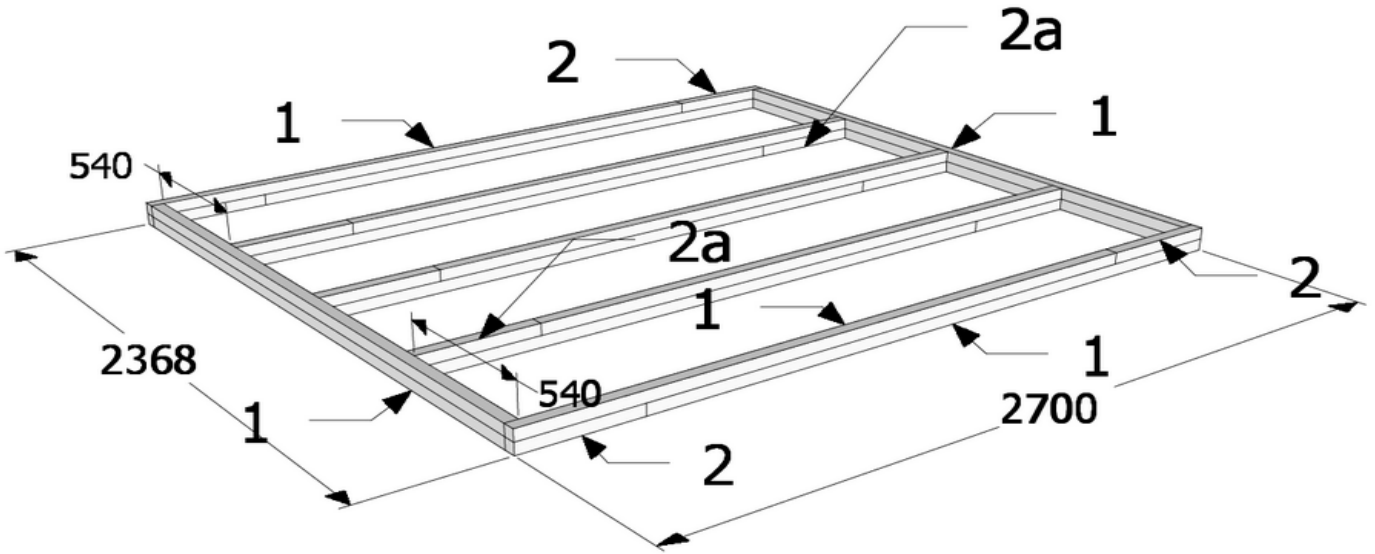
Important !
Wichtig !



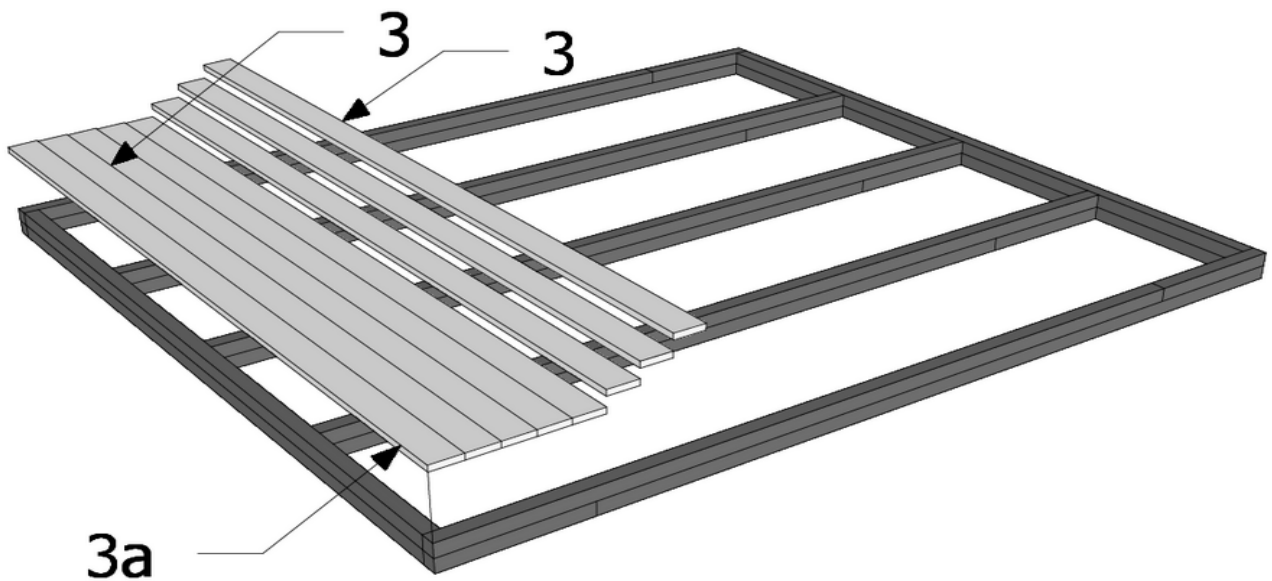
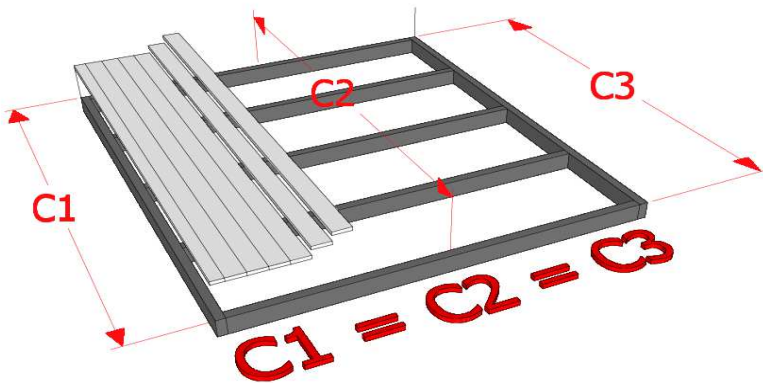
ideal A = 3591mm. = B

Kiosk Claus (274 x 240 cm.)

Assembly instruction



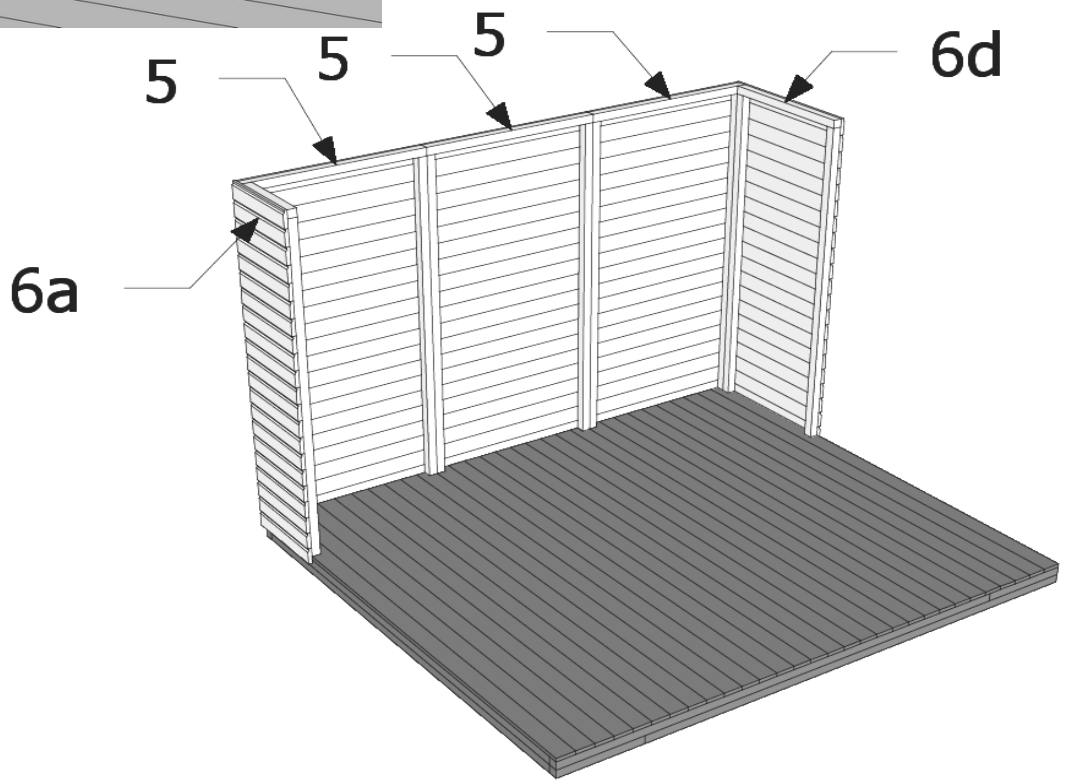
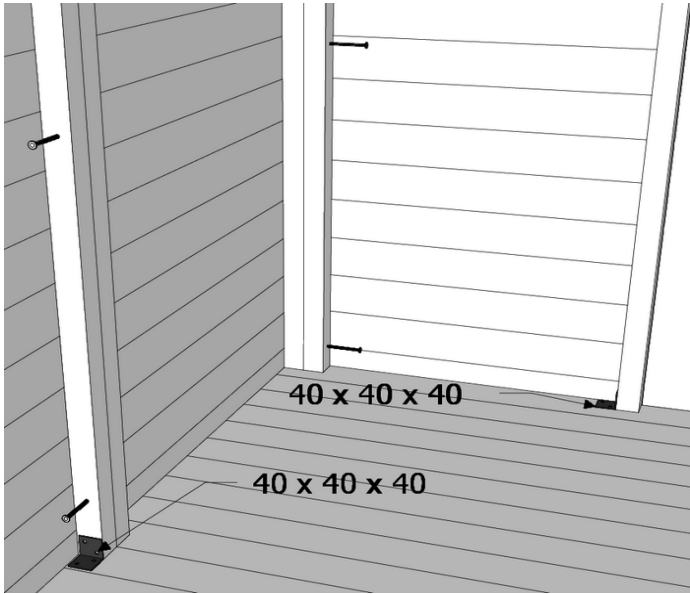
1	+	1	+	2	+	2a	4,5 x 80	48
----------	---	----------	---	----------	---	-----------	-----------------	-----------



3a	+	3	2,5 x 50	160
-----------	---	----------	-----------------	------------

Kiosk Claus (274 x 240 cm.)

Assembly instruction



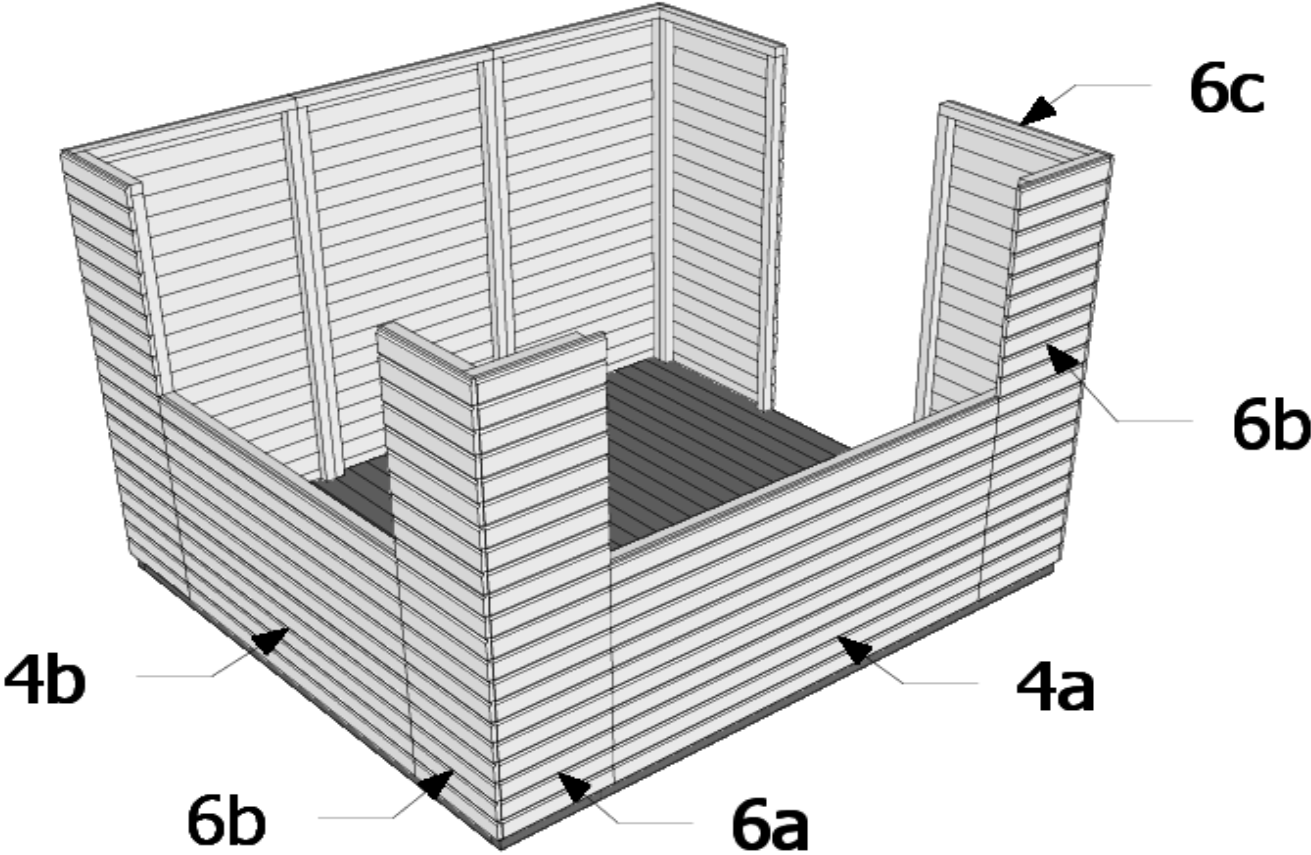
6d	+	5	+	5	+	5
	+	6a	+	4b	+	6b
	+	6a	+	4a	+	6b
					+	6c

4,5 x 80	36
-----------------	-----------

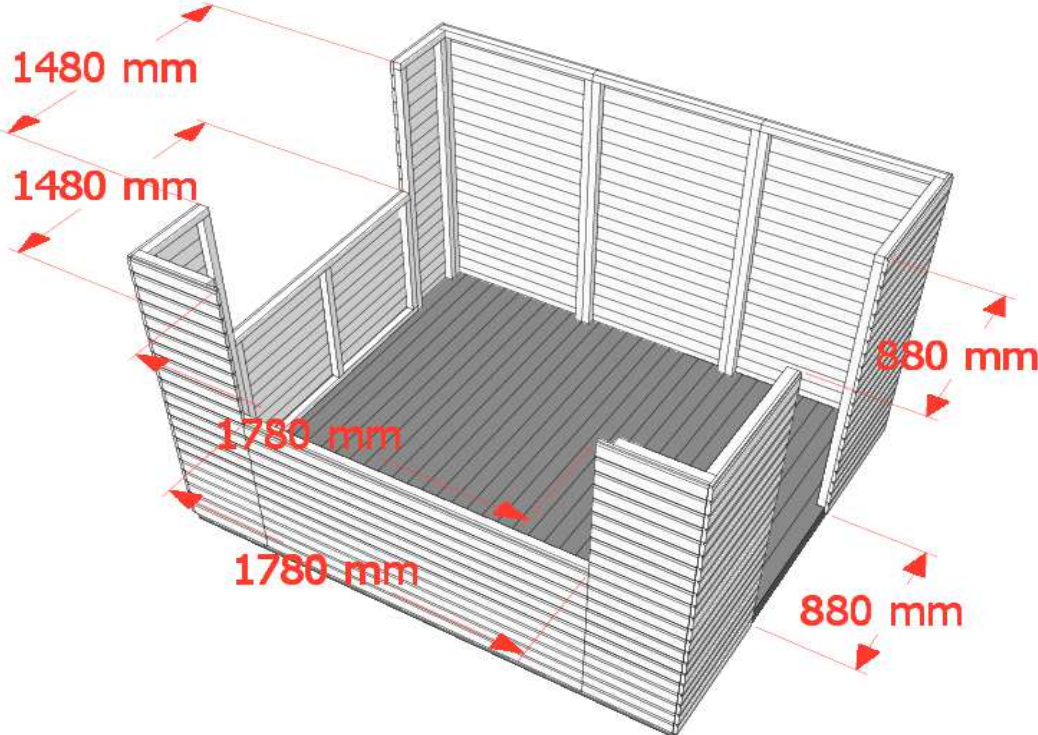
6d	5	5	5	5	6a	4b	
4b	6b	6a	4a	4a	6b	6c	
						+	base

40 x 40 x 40	8
3,5 x 40	48

Kiosk Claus (274 x 240 cm.) Assembly instruction



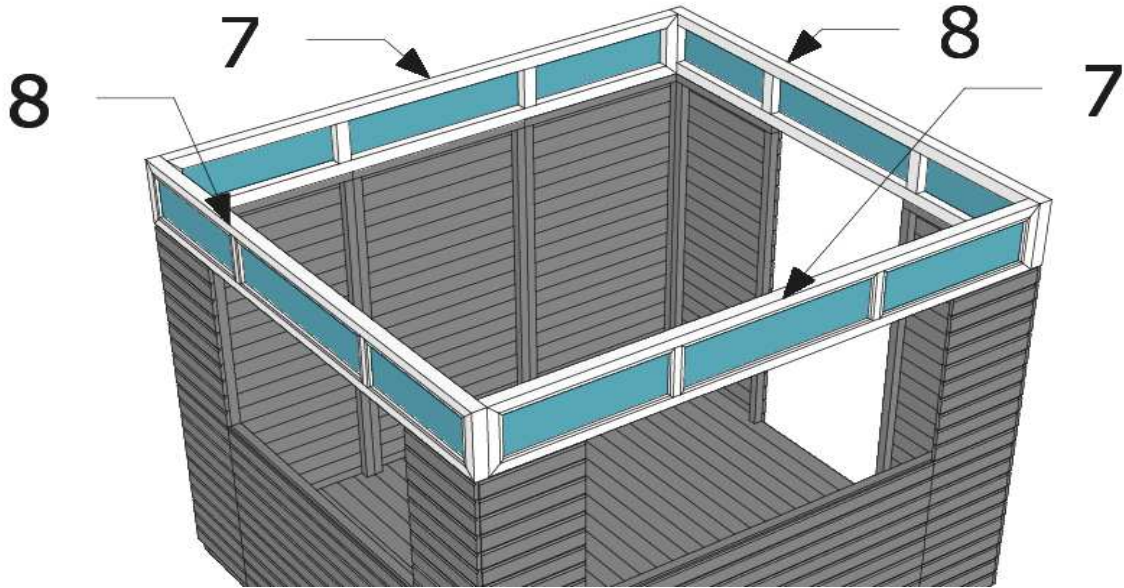
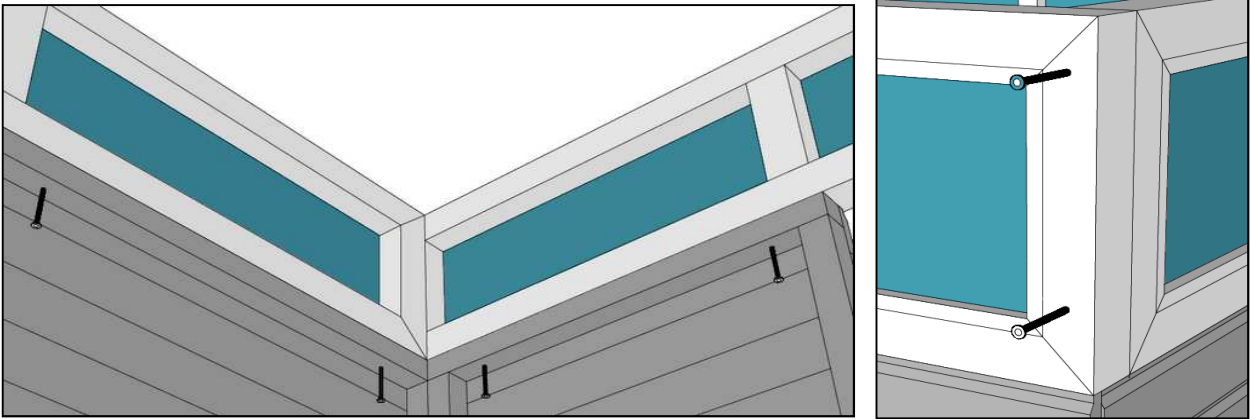
**Important !
Wichtig !**



Kiosk Claus (274 x 240 cm.)

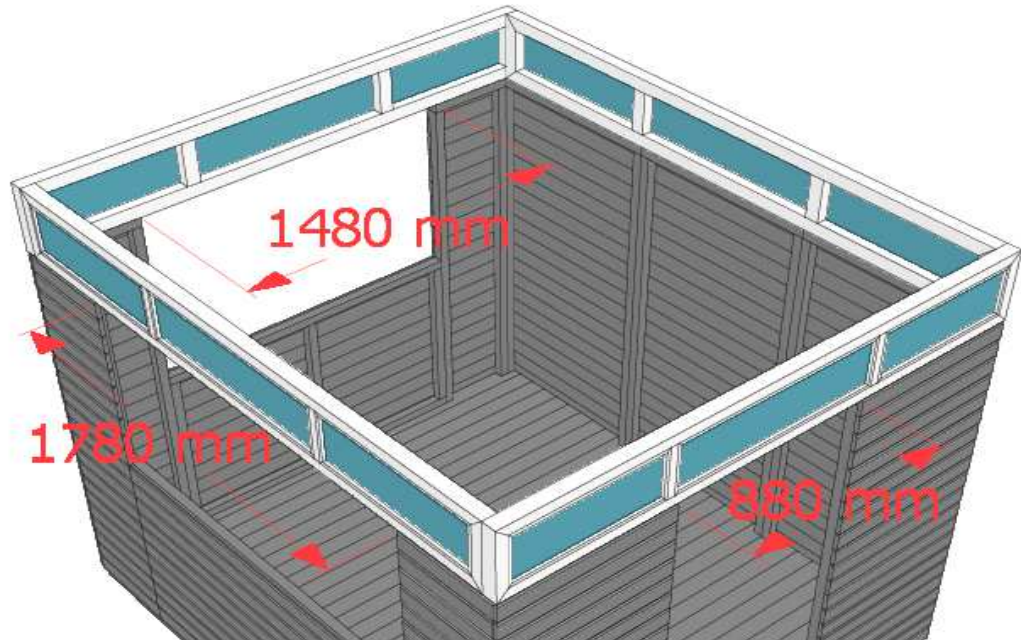
Assembly instruction

5/15



8	+	7	+	7	+	8	4,5 x 80	18
		8	+	7			5 x 120	8

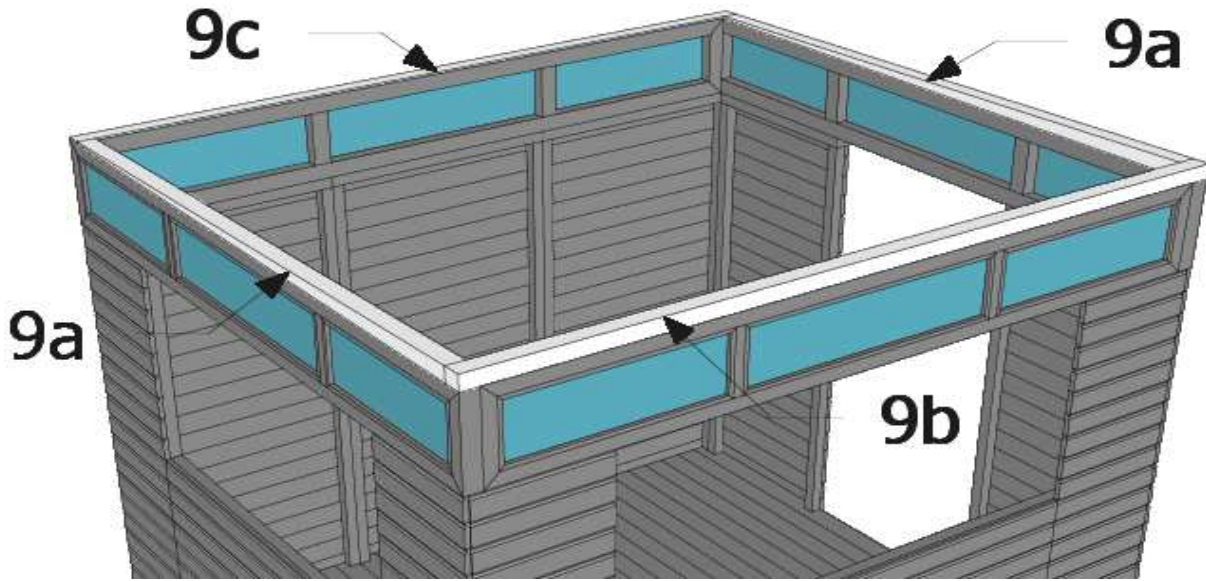
**Important !
Wichtig !**



Kiosk Claus (274 x 240 cm.)

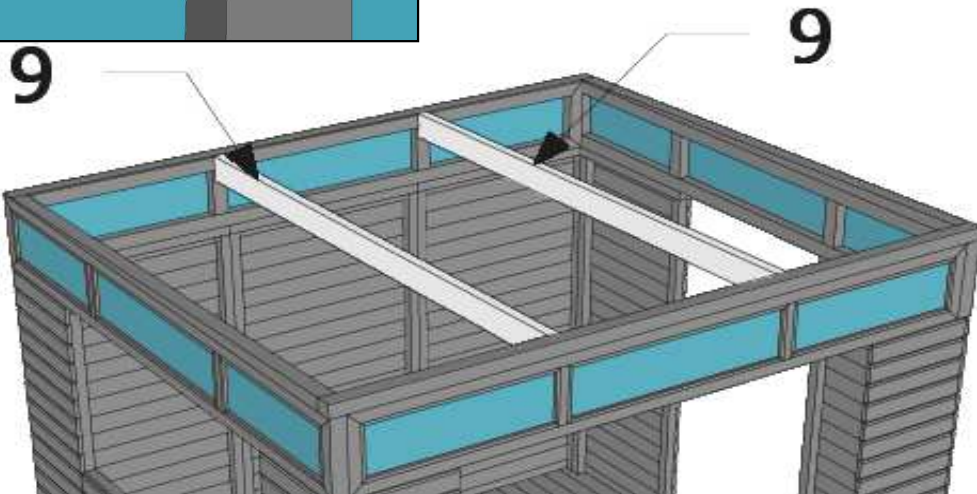
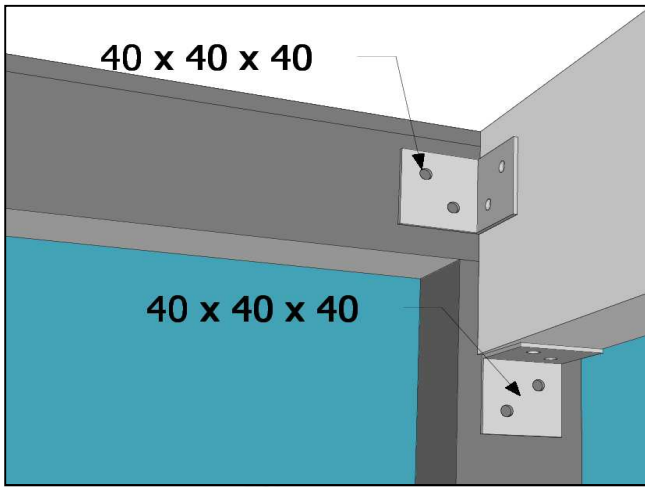
Assembly instruction

6/15



9b + **9a** + **9a** + **9c**

4,5 x 80	10
3,5 x 50	6
3,5 x 40	6

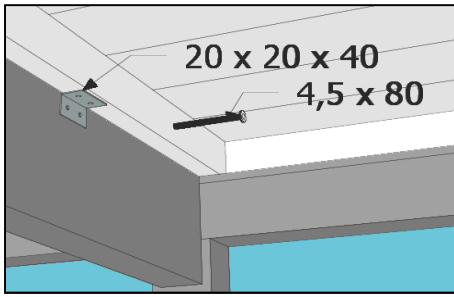


+ **9**

40 x 40 x 40	8
3,5 x 40	48

Kiosk Claus (274 x 240 cm.)

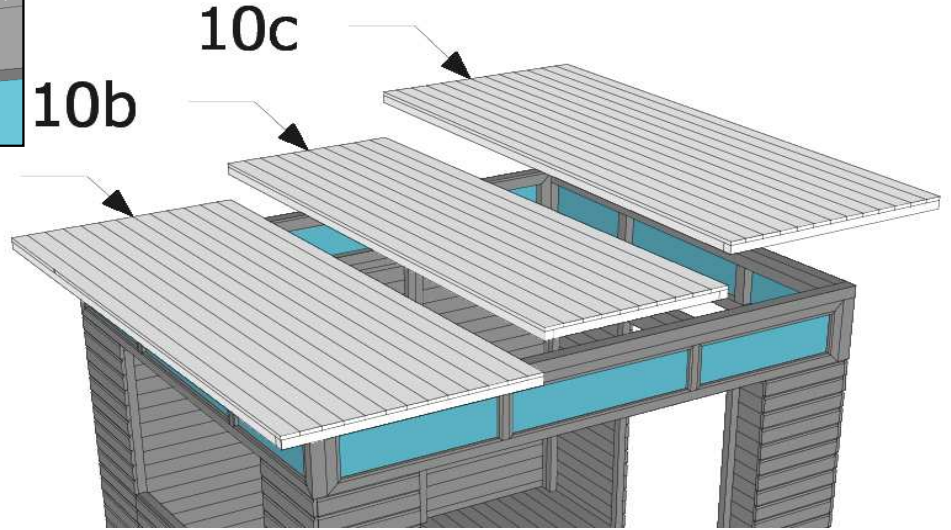
Assembly instruction



10a

10b

10c

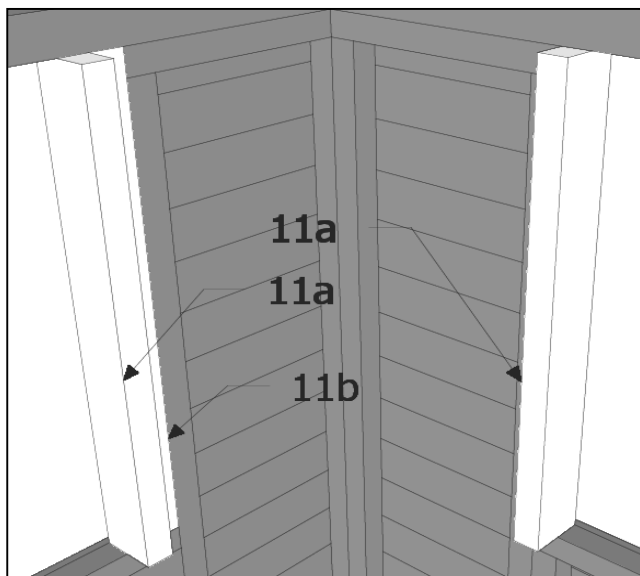


along the perimeter / entlang den perimeter



+ **10a** + **10b** + **10c**

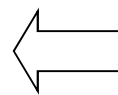
5 x 120	20
4,5 x 80	6
20 x 20 x 40	12
3,5 x 40	48



11a

11a

11b



View from inside

Ansicht von innen

11a

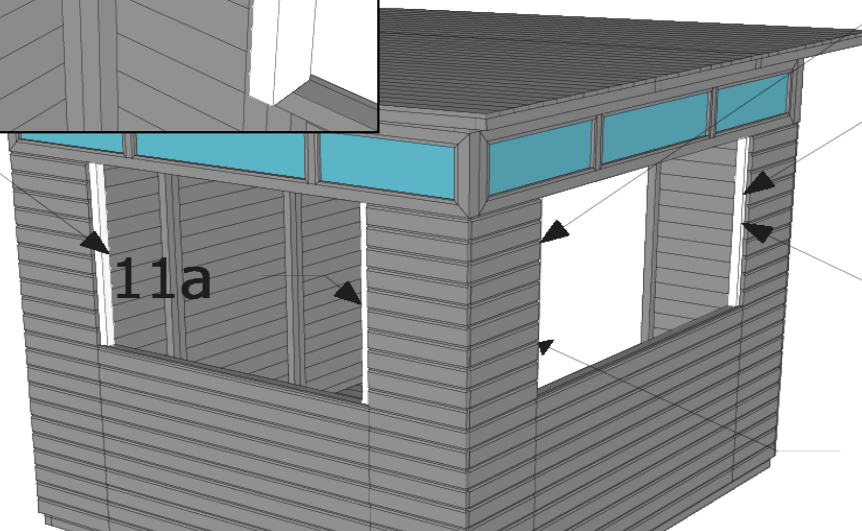
11a

11b

11b

11a

11a

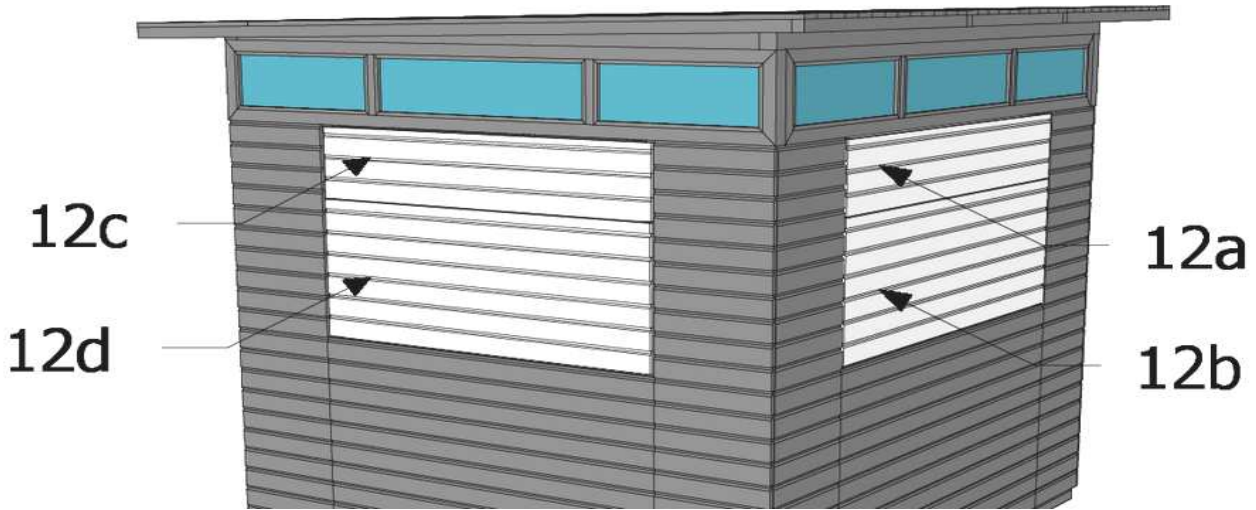


+ **11b** + **11a**

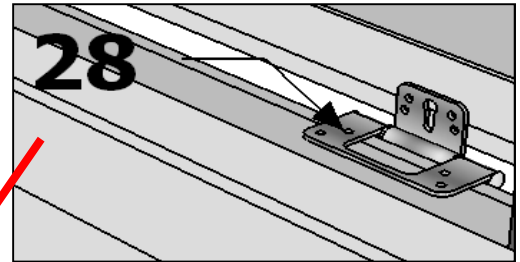
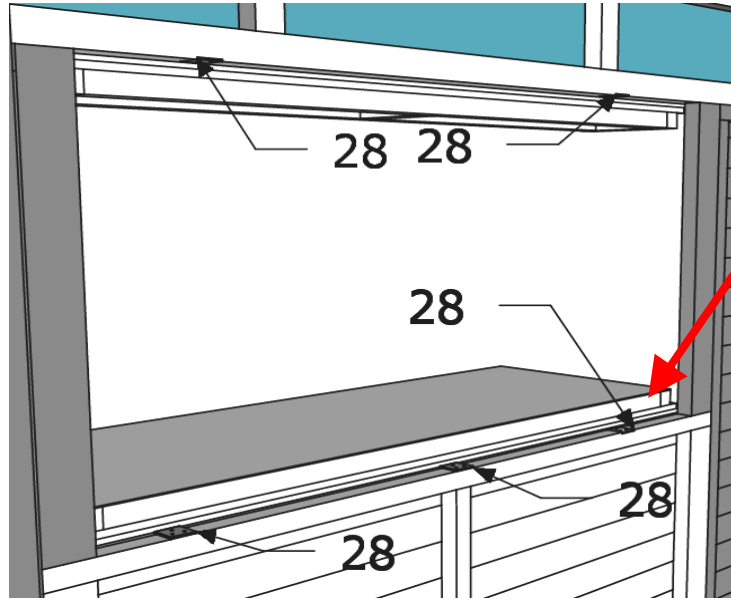
4,5 x 80	18
----------	----

Kiosk Claus (274 x 240 cm.)

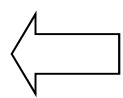
Assembly instruction



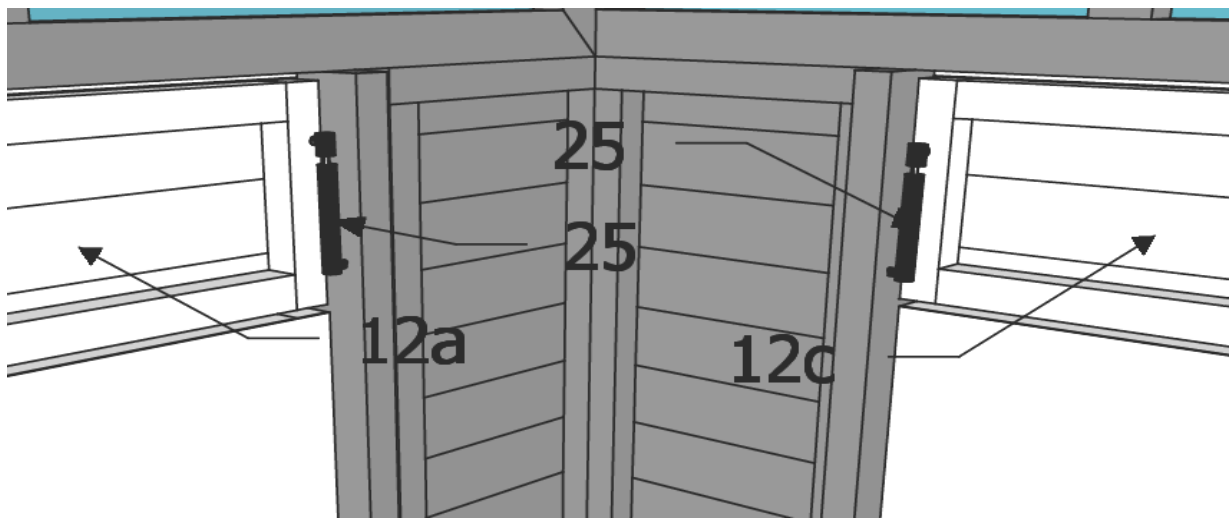
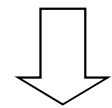
12a + **12b** + **12c** + **12d**



28	5 x 35	60
-----------	---------------	-----------



View from inside
Ansicht von innen



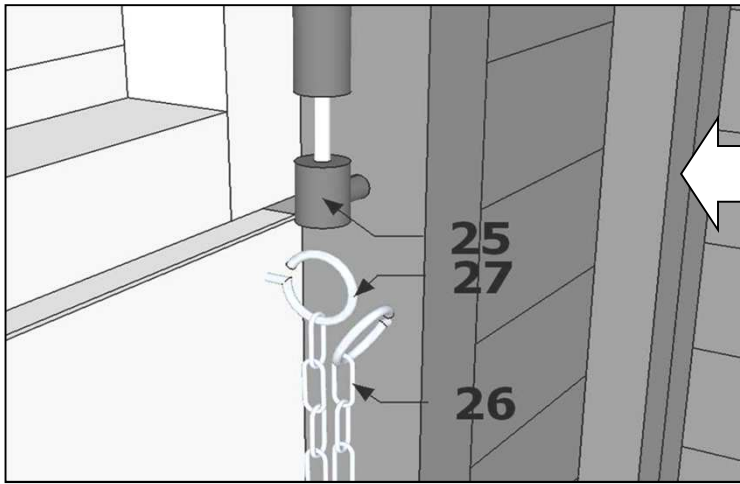
25	3,5 x 40	20
-----------	-----------------	-----------



Kiosk Claus (274 x 240 cm.)

Assembly instruction

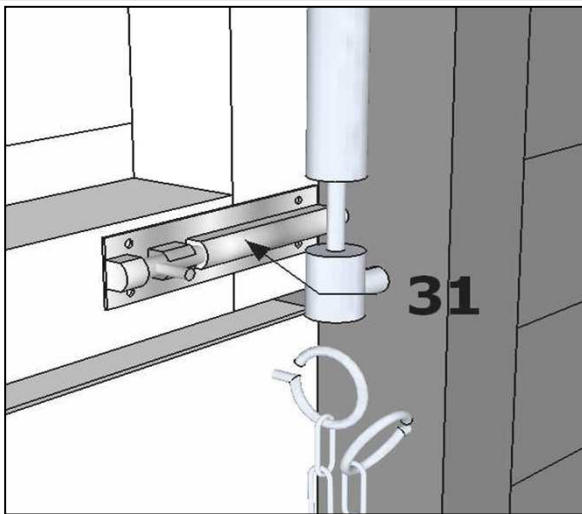
9/15



View from inside
Ansicht von innen

26

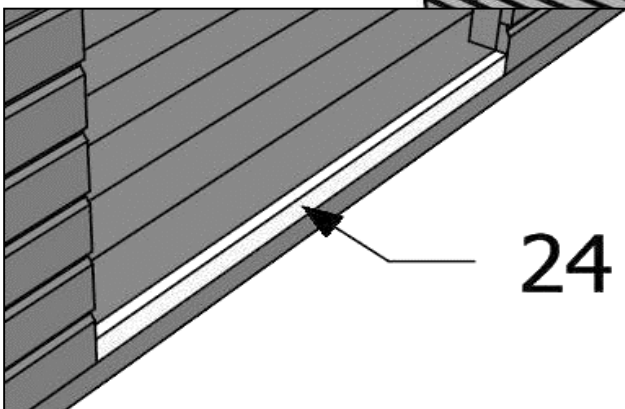
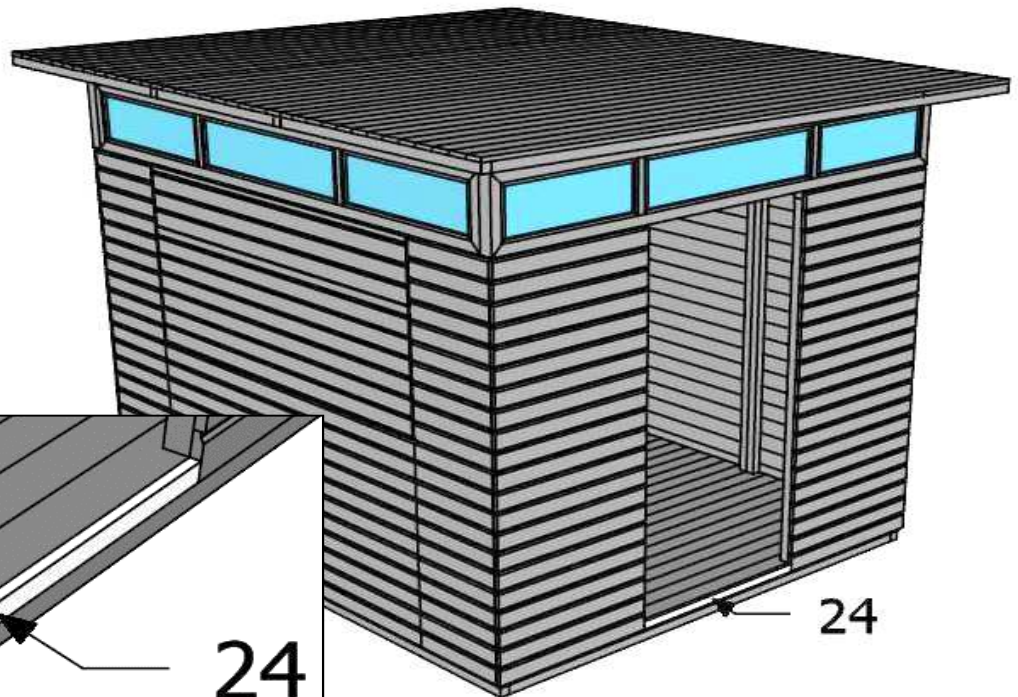
27



31

3 x 30

24



24

24

24

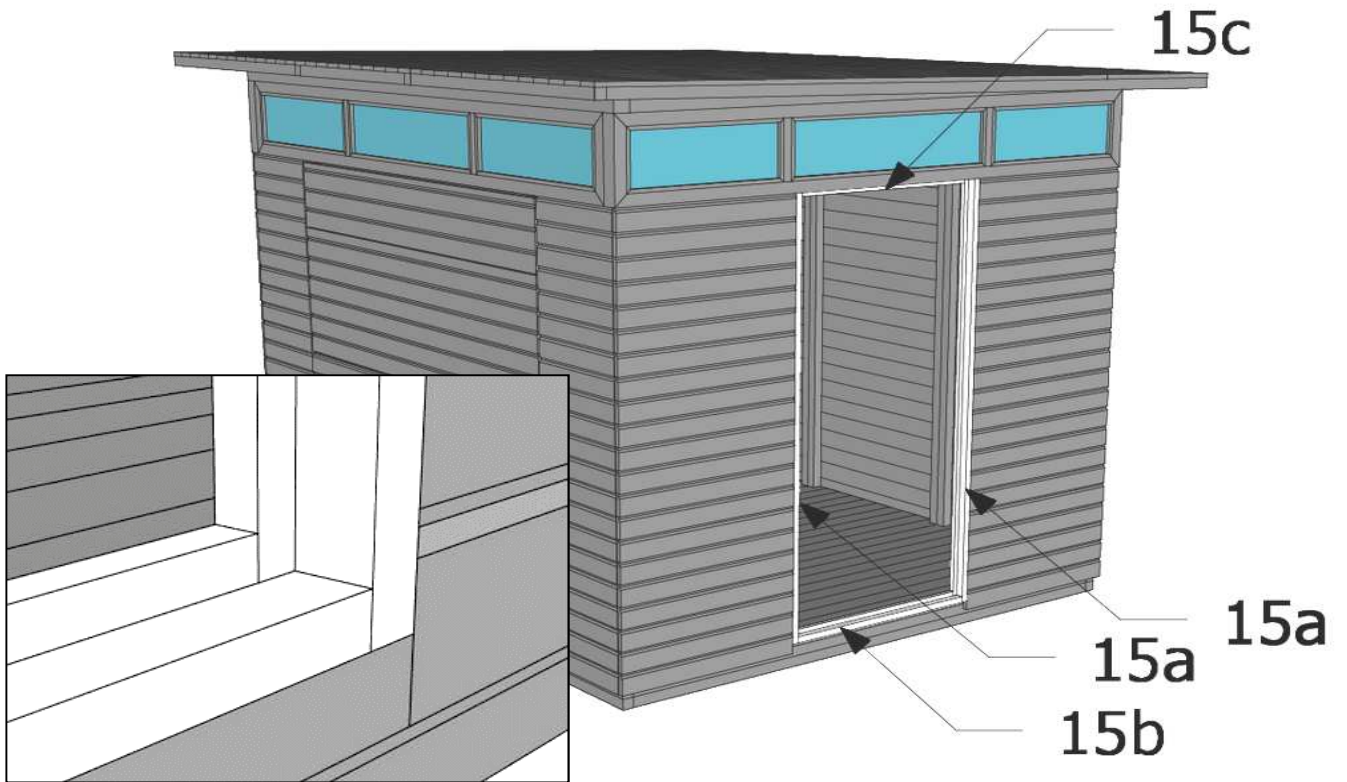
3,5 x 40

3

Kiosk Claus (274 x 240 cm.)

Assembly instruction

10/15



15a

+

15b

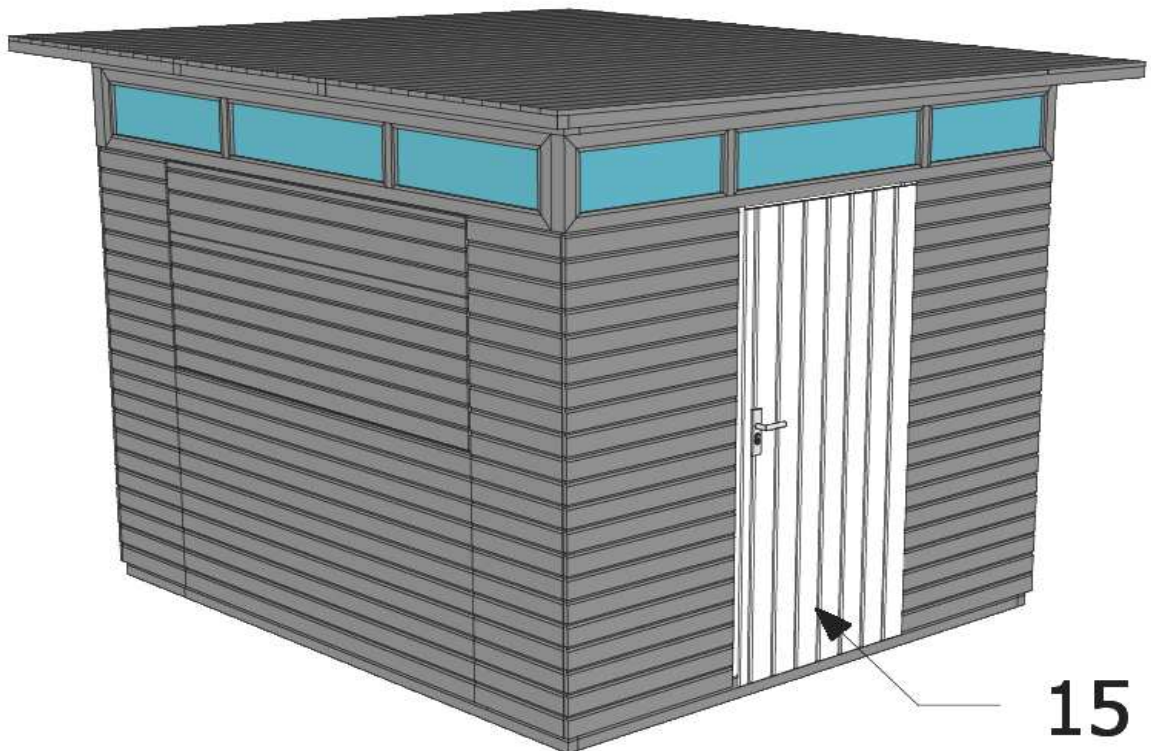
4 x 60

12

15c

3,5 x 40

4

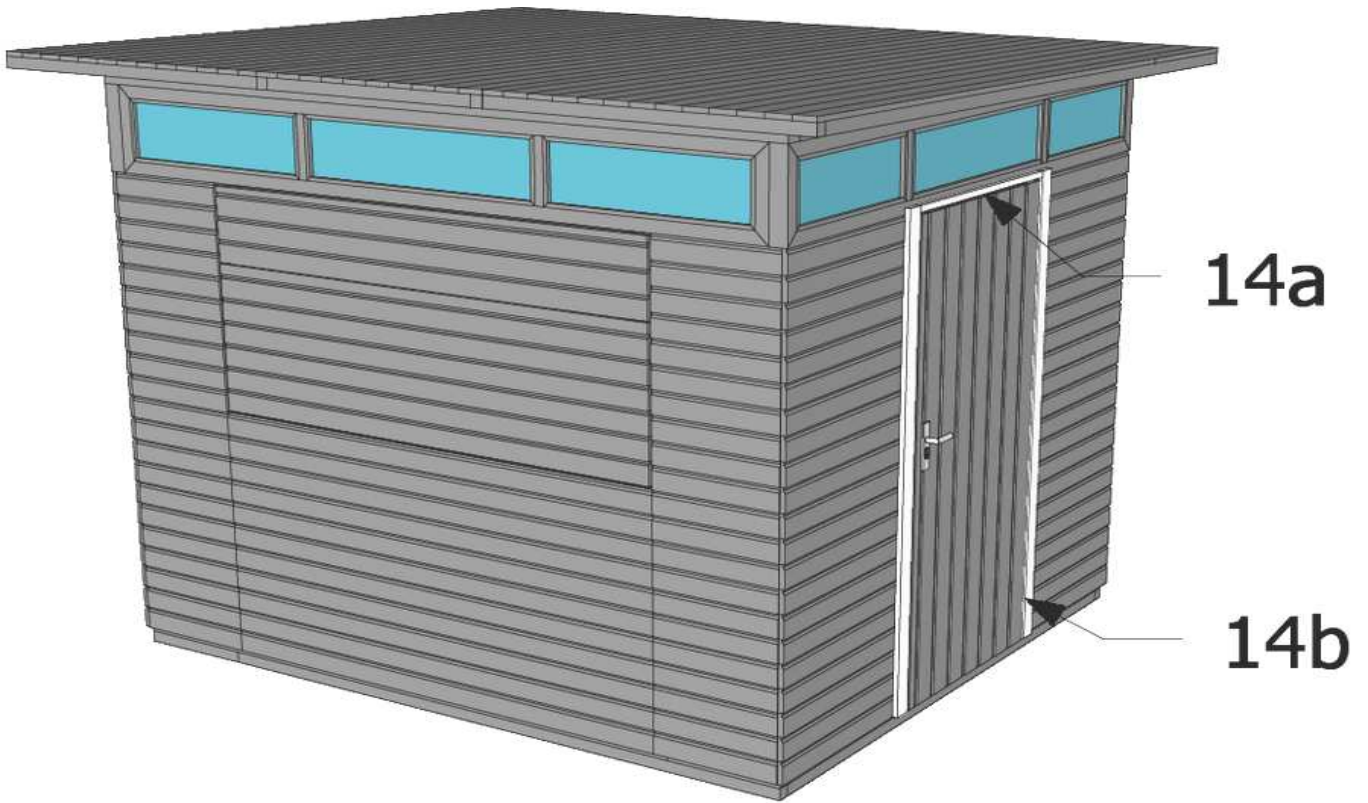


15

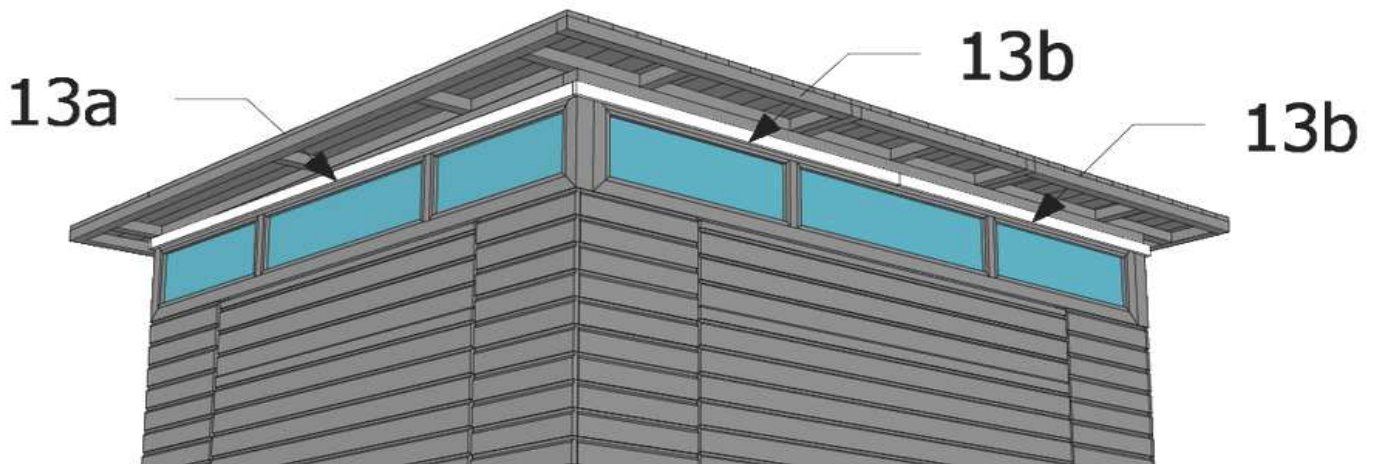
Kiosk Claus (274 x 240 cm.)

Assembly instruction

11/15



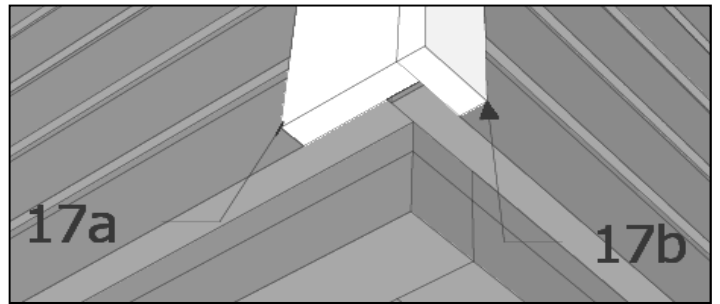
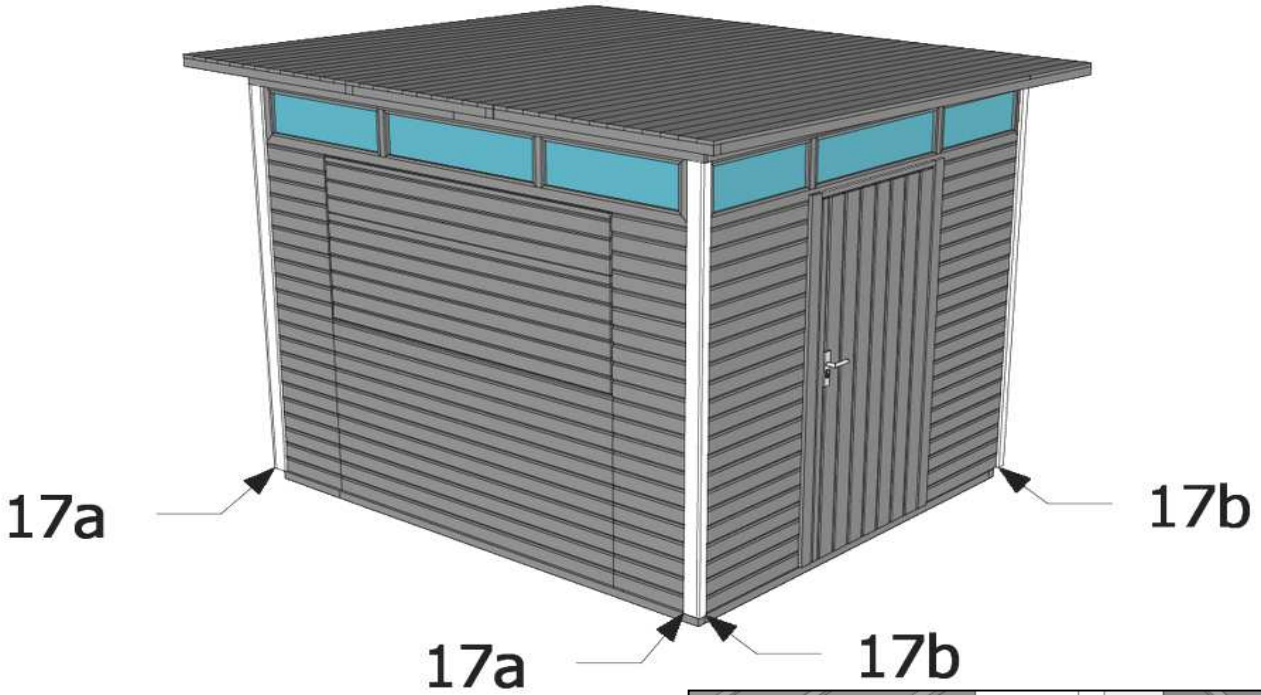
14b	+	14a	3,5 x 40	12
------------	---	------------	-----------------	-----------



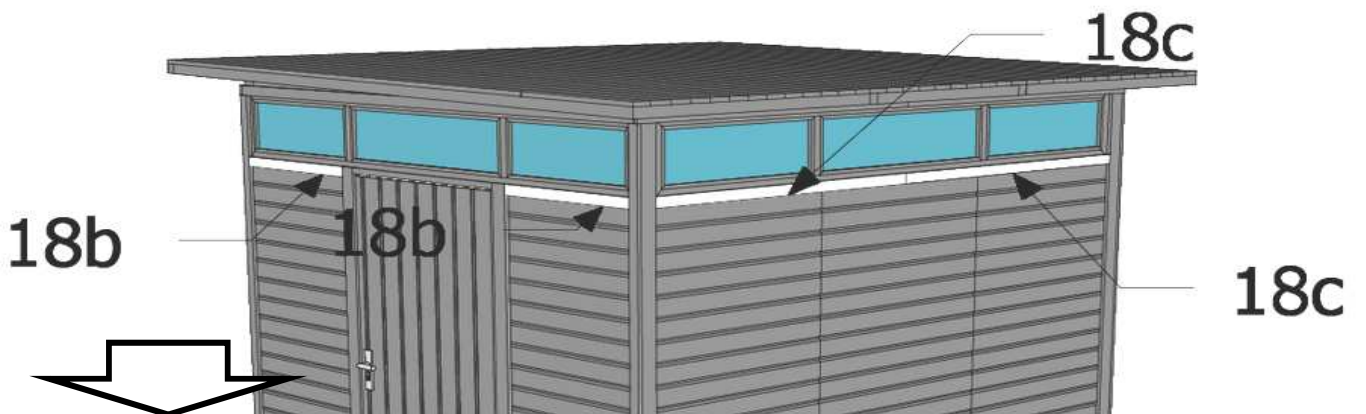
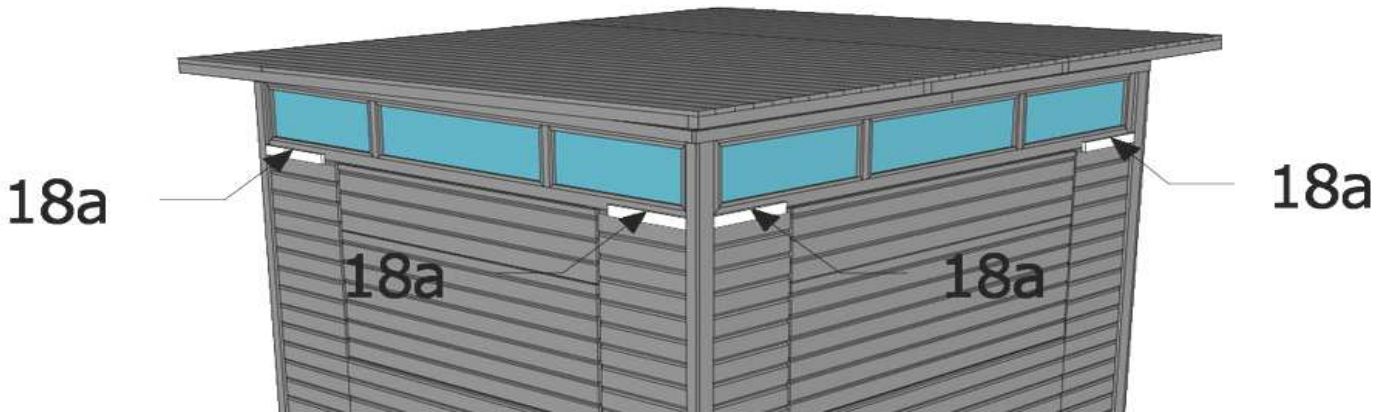
13a	+	13b	3,5 x 40	20
------------	---	------------	-----------------	-----------

Kiosk Claus (274 x 240 cm.)

Assembly instruction



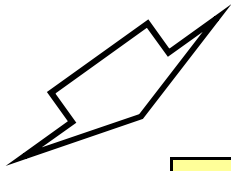
17a	+	17b	3,5 x 40	32
------------	---	------------	-----------------	-----------



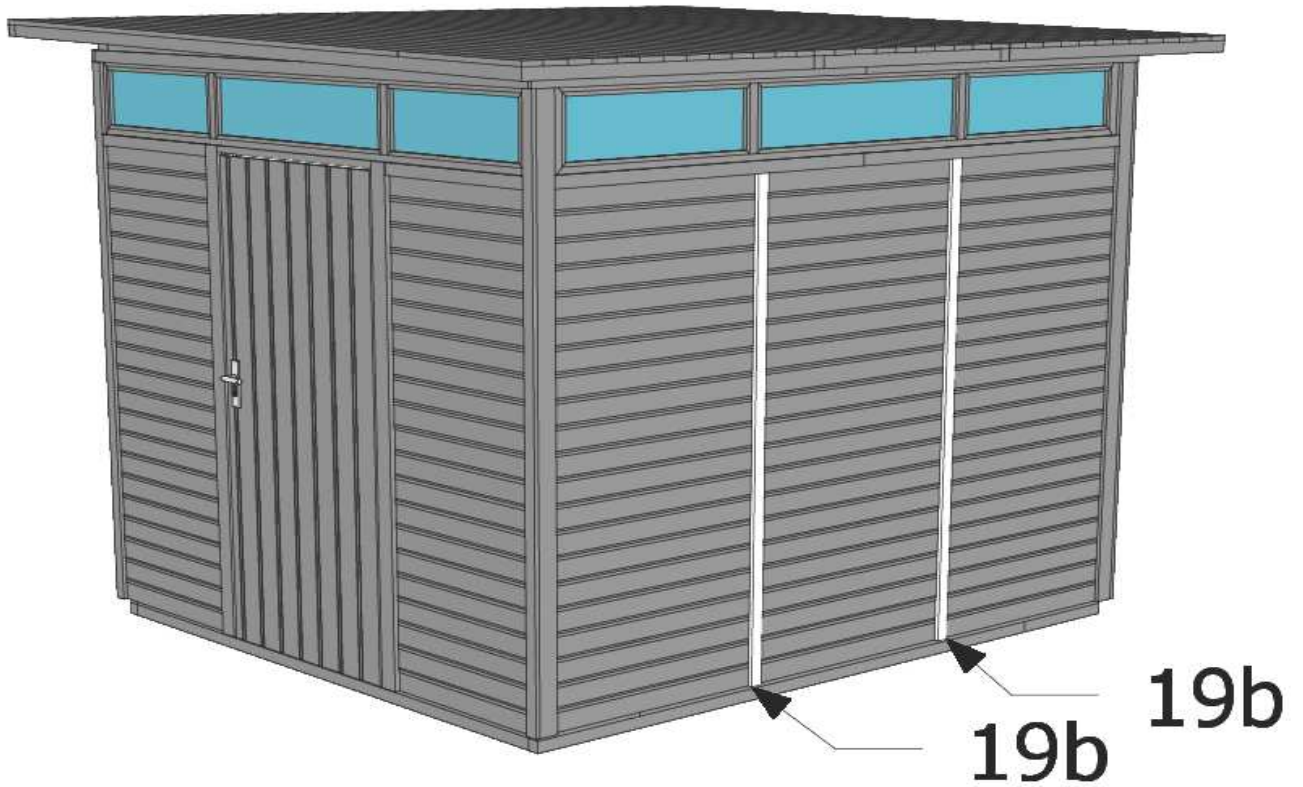
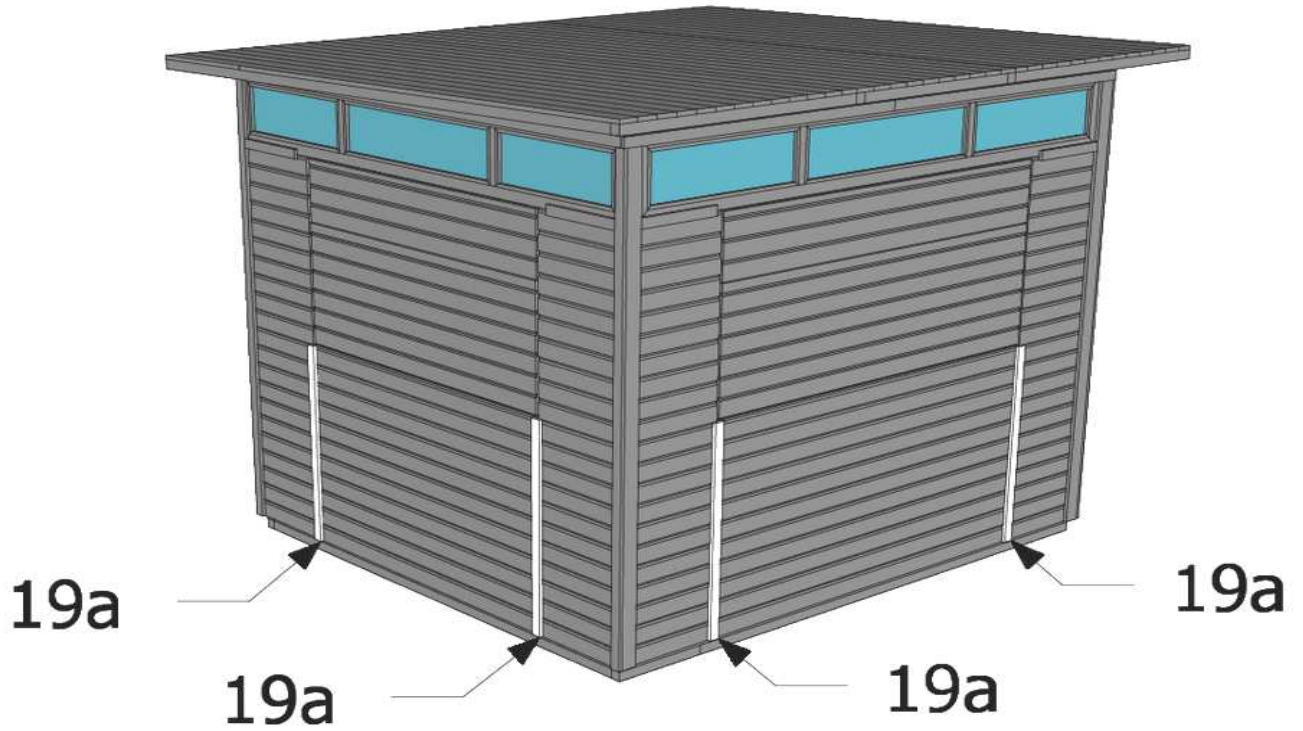
Kiosk Claus (274 x 240 cm.)

Assembly instruction

13/15



18a	+	18b	+	18c	3,5 x 40	20
------------	---	------------	---	------------	-----------------	-----------

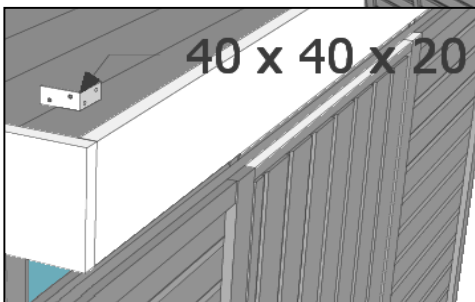
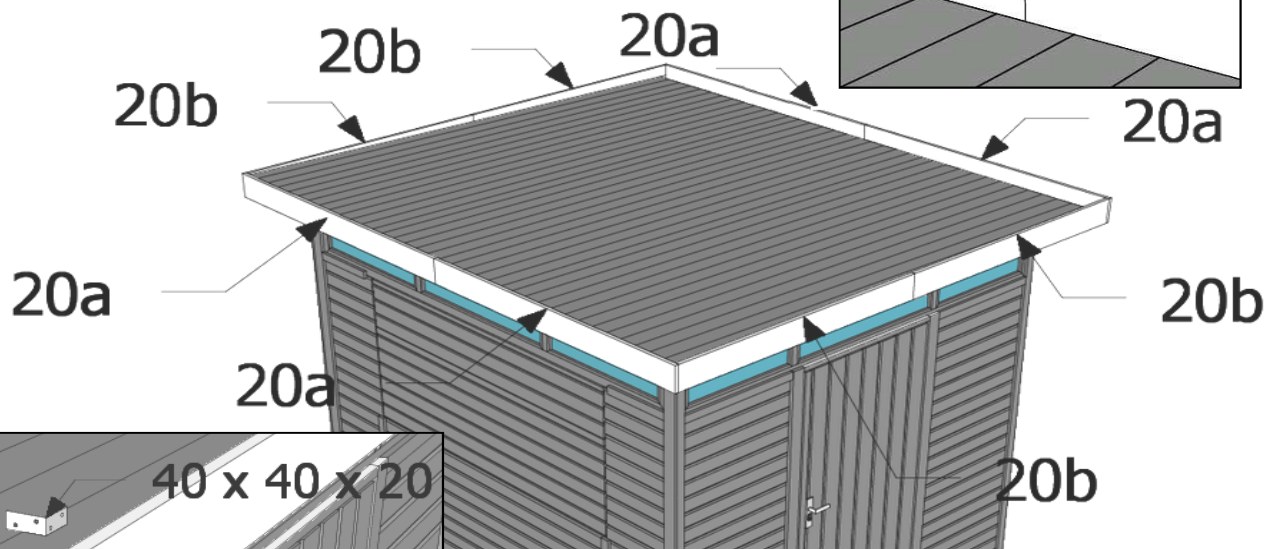
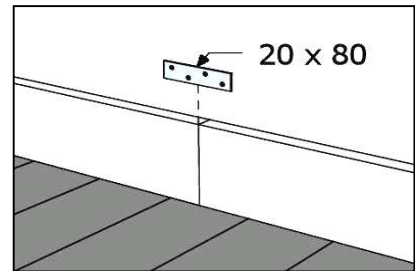
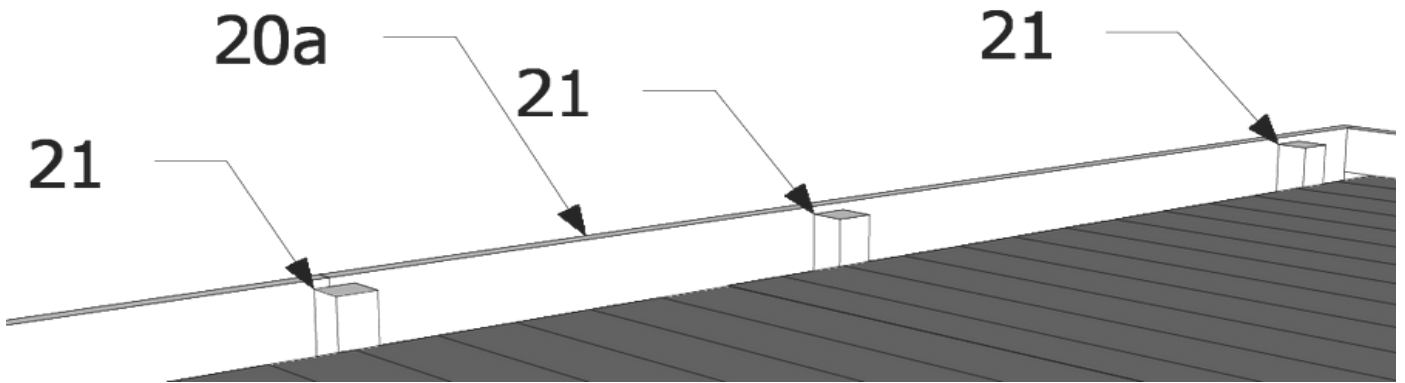


19a	+	19b	3,5 x 40	20
------------	---	------------	-----------------	-----------

Kiosk Claus (274 x 240 cm.)

Assembly instruction

14/15



front / vordere Rand → **20a** + **20a**

corners / Ecken → **20a 20b**

back / hinter → + **21**

+ **20a** + **20b**

back / hinter → **21** + **20a**

20 x 80	4
3,5 x 16	16

40 x 40 x 20	4
3,5 x 16	16

4,5 x 80	10
----------	----

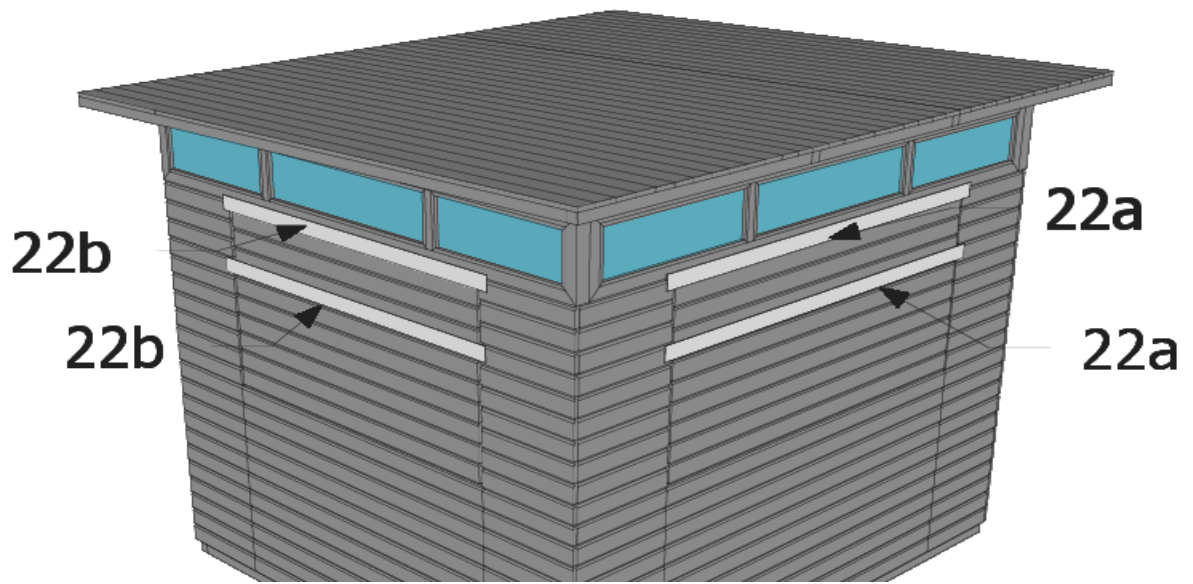
3,5 x 50	32
----------	----

4 x 60	12
--------	----

Kiosk Claus (274 x 240 cm.)

Assembly instruction

15/15



+	22a	+	22b	3,5 x 40 *)	26
---	------------	---	------------	--------------------	-----------

*) - with washer / mit Scheibe